

# STUDIO COLLECTION

## **ZEHNDER CHIME**

The athlete of the radiator world – powerful, self-assured design consisting of elegantly curved round tubes whose open side allows even very thick towels to be slid on as a convenient way of warming them. Zehnder Chime from the Studio Collection: the round design version made of hand-polished, high-quality stainless steel can be installed with the open end on the left or right. Zehnder Chime makes a bold statement in the bathroom – and has the added bonus of providing beautifully pre-warmed towels.





Radiator surface: Hand-polished stainless steel

# STUDIO COLLECTION ZEHNDER CHIME



Radiator surface: Hand-polished stainless steel



## Operation on central heating system

Zehnder Chime from the Studio Collection: the round design version made of hand-polished, high-quality stainless steel can be installed with the open end on the left or right. Powerful, self-assured design consisting of elegantly curved round tubes whose open side allows even very thick towels to be slid on as a convenient way of warming them.

Horizontal tubes each branch asymmetrically from the laterally arranged manifolds. Round tube Ø 51 mm, header tube 30 x 30 mm. Thermal output tested to EN 442, with CE marking. 4 x 1/2" female thread on the header tubes, connection size 50 mm. Flow, return at bottom, left-hand or right-hand installation option; top 2 x 1/2" directional air vent, screwed in at the factory for installation as right-hand version. Delivered ready to install with elegant wall brackets in chrome.

## Standard scope of delivery for operation on central heating system

- Hand-polished stainless steel
- 4 x 1/2" connections for flow, return, vent
- 2 x directional air vent 1/2" screwed in at the factory for installation as right-hand version
- Elegant wall brackets in chrome
- Packaging

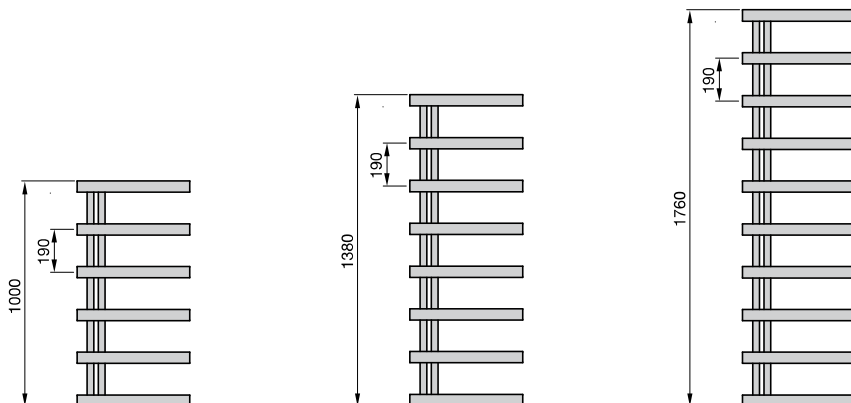
Operating pressure	max. 5.2 bar
Operating temperature	max. 90 °C
Height	..... mm
Length	..... mm
Model	.....

## Advantages

- Hand-polished stainless steel
- Ideal for hanging towels due to large tube spacing and asymmetrical tube arrangement
- Can be installed as a right-handed or left-handed version
- Easy to clean

# STUDIO COLLECTION ZEHNDER CHIME

## Overview of models



## Connection to hot water central heating system

Stainless steel version

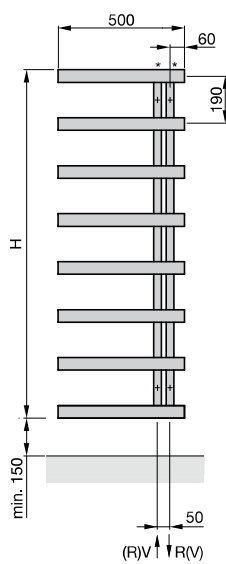
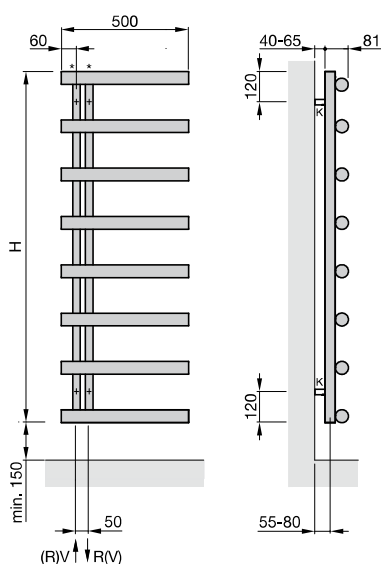
Model	H mm	L mm	Thermal output				Exp. n	Classification Electric heating element Watt	V dm <sup>3</sup>	M kg	Price Stainless steel €
			EN 442 <sup>Ⓢ</sup> W	70/55/24 W	55/45/24 W	55/45/20 W					
CHZ-100-050	1000	500	276	193	114	139	1.33	-	7.1	7.3	1.019,66
CHZ-140-050	1380	500	377	272	170	203	1.20	-	9.5	9.6	1.233,65
CHZ-180-050	1760	500	438	314	194	232	1.23	-	12.0	12.0	1.485,42

Special solution on request (surcharge)	Article no.	Price €
■ Zehnder thermostat	-	see page 158
■ Zehnder valves, return screw connections and fittings	-	see page 159 onwards

## Operation on central heating system:

Wall mounting, installation as right-hand version

Wall mounting, installation as left-hand version



H = Height  
V = Flow  
R = Return  
K = Bracket(s)  
\* = Vent

Dimensions in mm

Ⓢ Thermal output to EN 442,  $\Delta T$  50 K (75/65/20 °C)